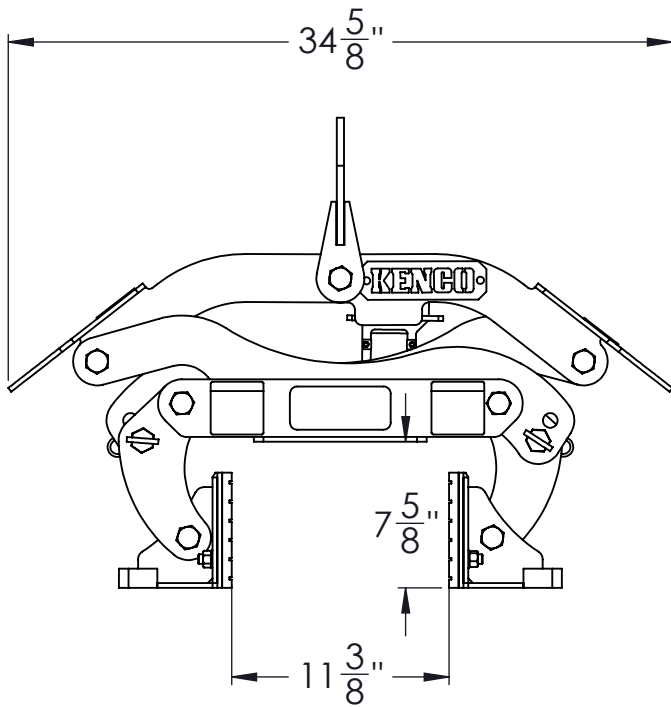
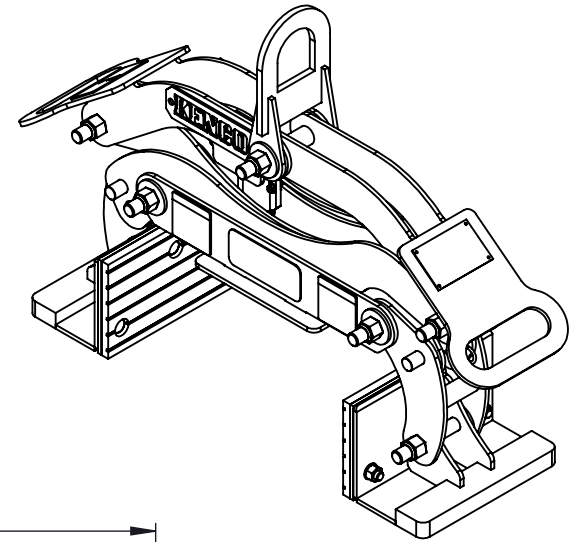
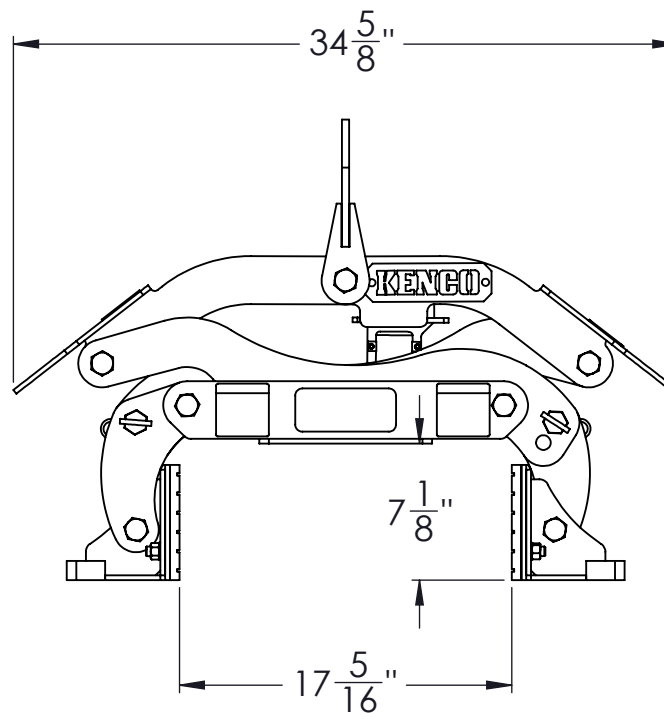


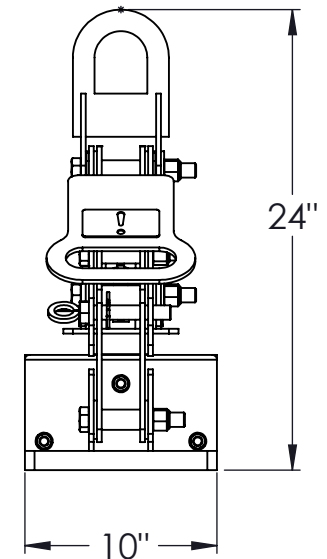
Model: TSL15C4T16  
 Weight: 120 Lbs.  
 Capacity: 1500 Lbs.  
 Grip Range: Adjustable 4" To 10" and 10" To 16"  
 -Automatic Actuator  
 -A514 Steel Construction  
 -6" x 10" Urethane Pads



4" To 10" Position



10" To 16" Position



DRAWN BY:  
 T. FREIDHOFF  
 DATE:  
 11/26/18



KENCO CORP.  
 170 STATE ROUTE 271  
 LIGONIER PA 15658

(800)653-6069  
 WWW.KENCO.COM

THE INFORMATION PROVIDED WITHIN THIS  
 DRAWING IS THE PROPERTY OF KENCO CORP. ANY  
 REPRODUCTION, TRANSMITTAL, OR USAGE OF ANY  
 KIND IS PROHIBITED WITHOUT WRITTEN PERMISSION.

DIMS. = IN.

TOLERANCES:  
 FRACT.: ±1/16  
 ANG.: MACH±1°  
 BEND ±1°  
 DEC.: X.XX ±.03  
 X.XXX ±.01

DESCRIPTION

TSL15C4T16  
 Spec. Sheet

REVISION

1 xxxxxx

DWG.

1