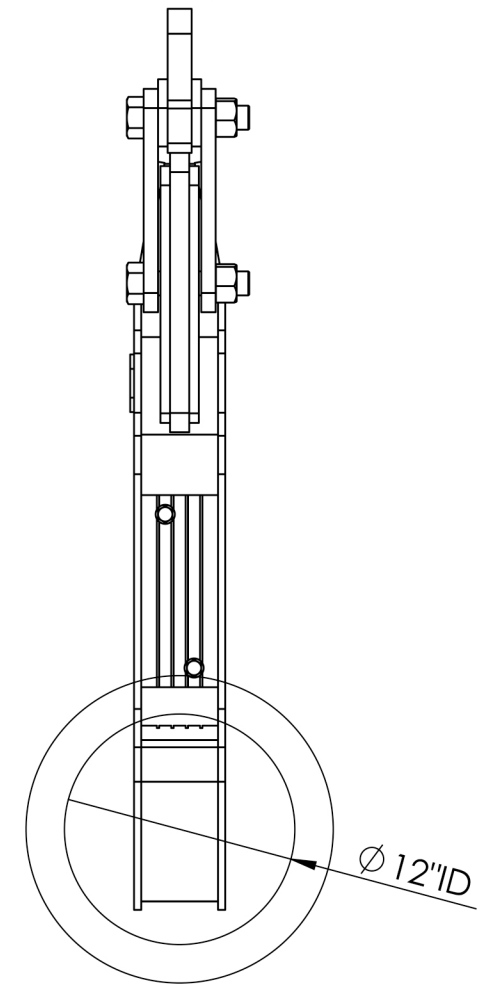
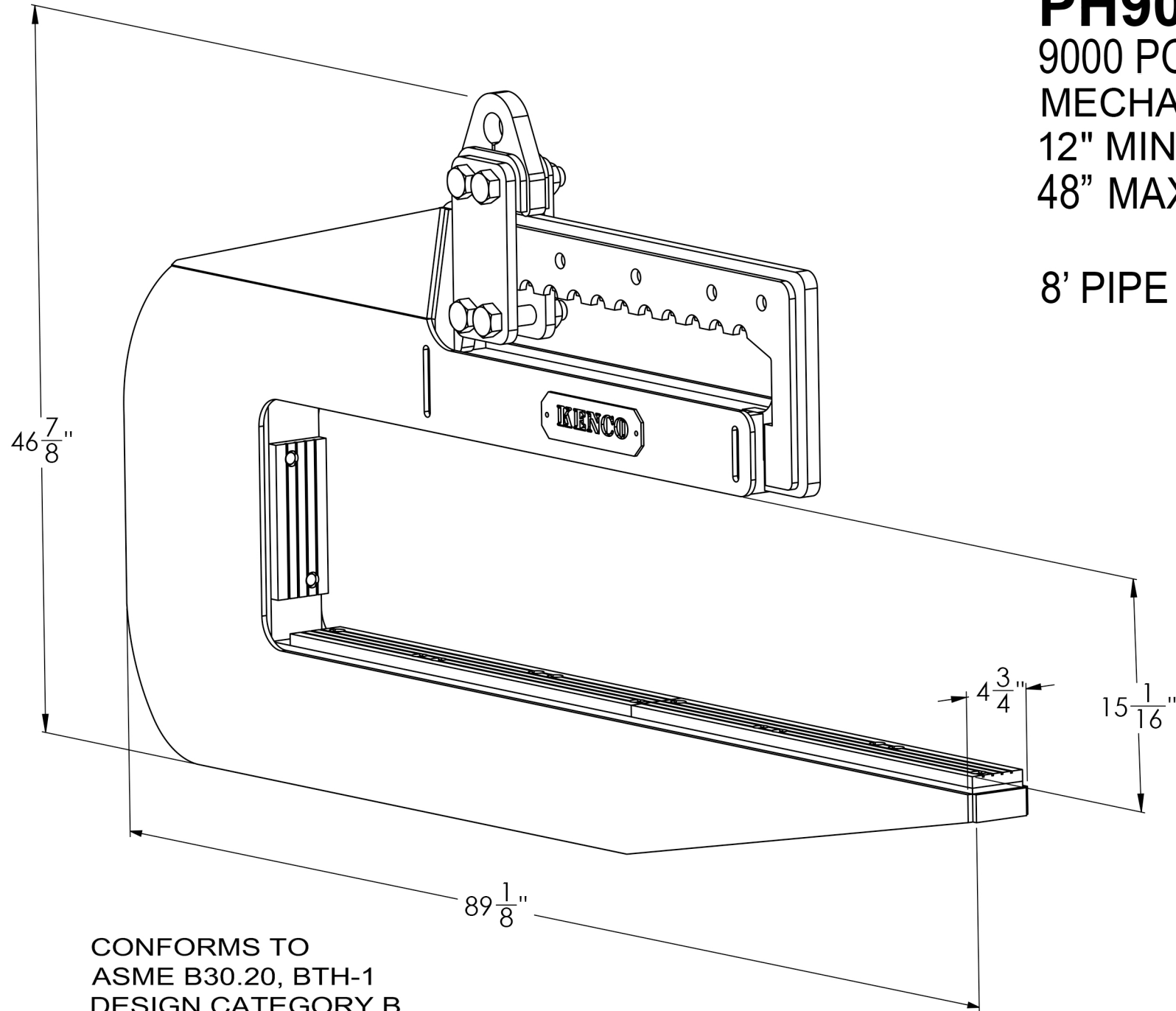


PH9000
 9000 POUND CAPACITY
 MECHANICAL PIPE HOOK
 12" MIN PIPE DIAMETER
 48" MAX PIPE DIAMETER

8' PIPE LENGTH



CONFORMS TO
 ASME B30.20, BTH-1
 DESIGN CATEGORY B
 SERVICE CLASS 3

DRAWN BY:

DATE:



KENCO CORP.
 170 STATE ROUTE 271
 LIGONIER PA 15658

(800)653-6069
 WWW.KENCO.COM

THE INFORMATION PROVIDED WITHIN THIS
 DRAWING IS THE PROPERTY OF KENCO CORP. ANY
 REPRODUCTION, TRANSMITTAL, OR USAGE OF ANY
 KIND IS PROHIBITED WITHOUT WRITTEN PERMISSION.

DIMS. = IN.

TOLERANCES:
 FRACT.: ±1/16
 ANG.: MACH±1°
 BEND ±1°
 DEC.: X.XX ±.03
 X.XXX ±.01

DESCRIPTION

PH9000
 KENCO PIPE HOOK, MECHANICAL
 9000 LB CAPACITY
 GENERAL DIMENSIONS

REVISION

1

xxxxxx

DWG.