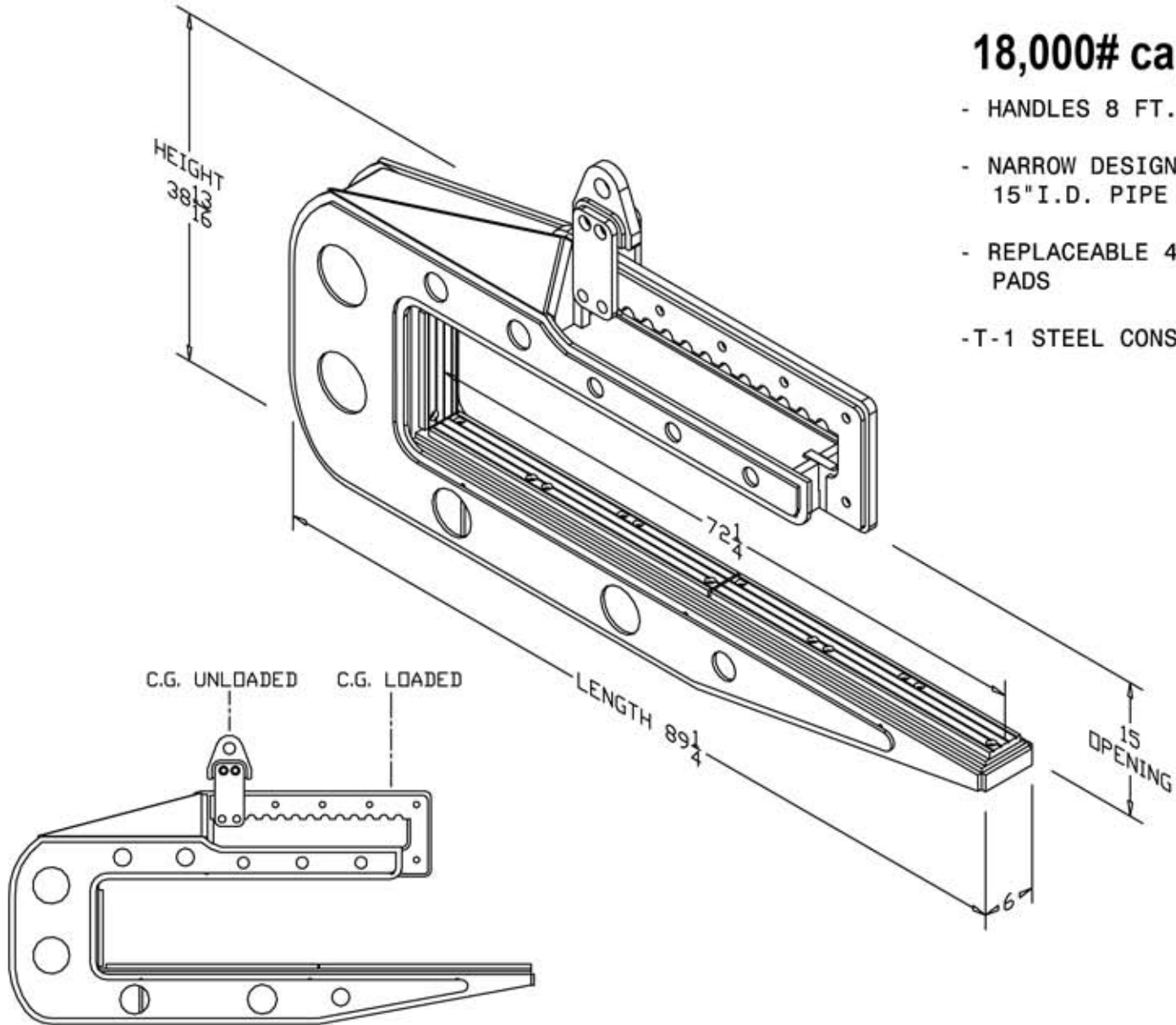



18,000# cap PIPE HOOK

- HANDLES 8 FT. SECTIONS OF PIPE
- NARROW DESIGN ACCOMMODATES 15" I.D. PIPE TO 18,000 LB PIPE
- REPLACEABLE 4"X36" URETHANE GRIPPING PADS
- T-1 STEEL CONSTRUCTION



DRAWN BY:		KENCO CORP.	(800)653-6069	WEIGHT	DESCRIPTION	PART NO.
Brad Shurina		170 STATE ROUTE 271	WWW.KENCO.COM	1135 LB	PH18K Pipe Hook	009-018-001
DATE:		THE INFORMATION PROVIDED WITHIN THIS DRAWING IS THE PROPERTY OF KENCO CORP. ANY REPRODUCTION, TRANSMITTAL, OR USAGE OF ANY KIND IS PROHIBITED WITHOUT WRITTEN PERMISSION.		CAPACITY		REVISION
12-29-2004				18000 LB		