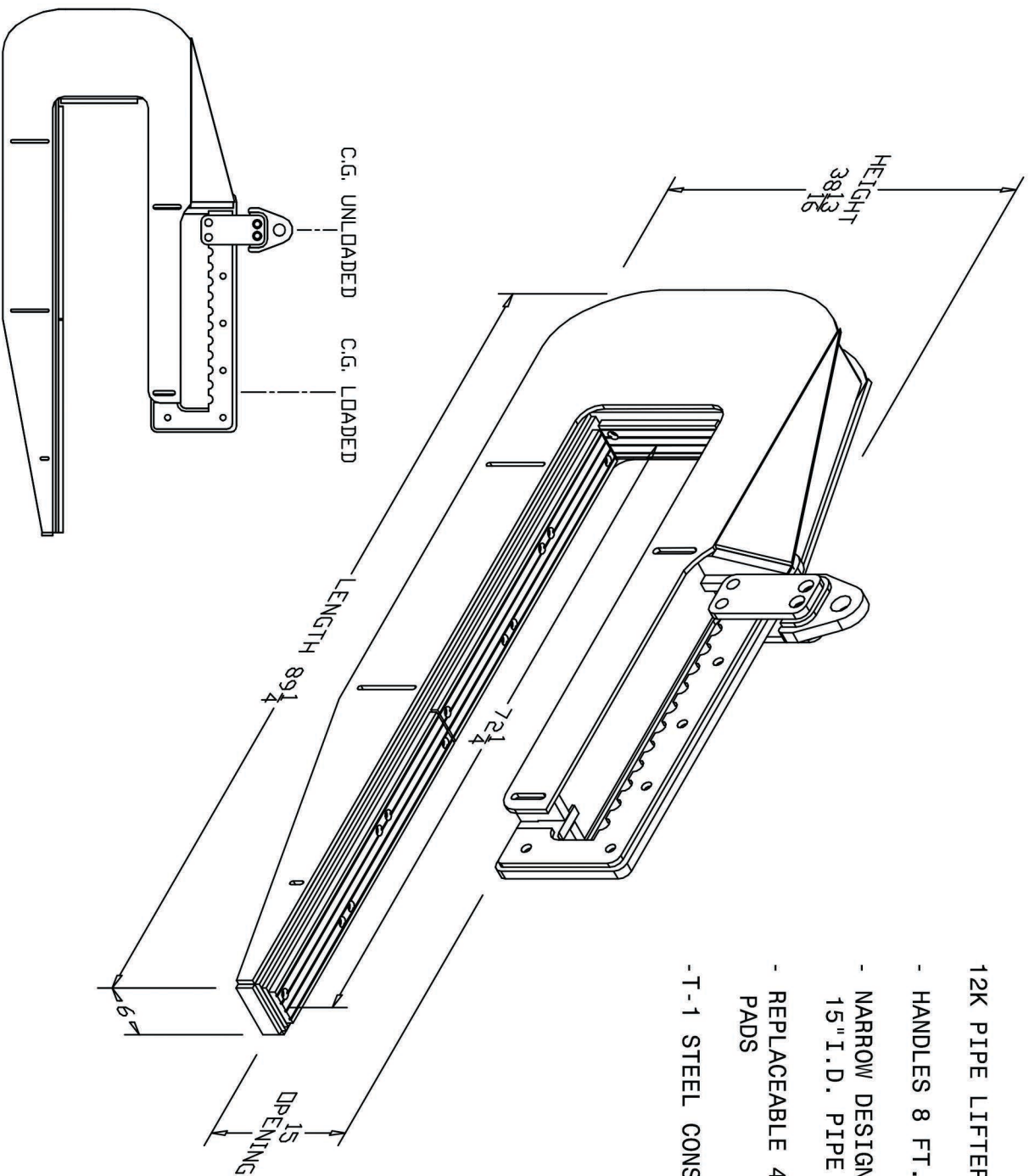


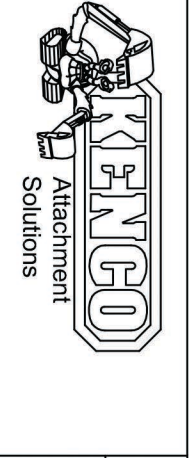
12K PIPE LIFTER

- HANDLES 8 FT. SECTIONS OF PIPE
- NARROW DESIGN ACCOMMODATES 15" I.D. PIPE TO 12,000 LB PIPE PADS
- REPLACEABLE 4" X 36" URETHANE GRIPPING PADS

- T-1 STEEL CONSTRUCTION



DRAWN BY:
Brad Shurina
DATE:
12-29-2004



KENCO CORP.
170 STATE ROUTE 271
LIGONIER PA 15658
WWW.KENCO.COM
(800)653-6069

WEIGHT
902 LB
CAPACITY
12000 LB

DESCRIPTION
12K PIPE LIFTING
DEVICE

PART NO.
009-012-001
REVISION

THE INFORMATION PROVIDED WITHIN THIS DRAWING IS THE PROPERTY OF KENCO CORP. ANY REPRODUCTION, TRANSMITTAL, OR USAGE OF ANY KIND IS PROHIBITED WITHOUT WRITTEN PERMISSION.