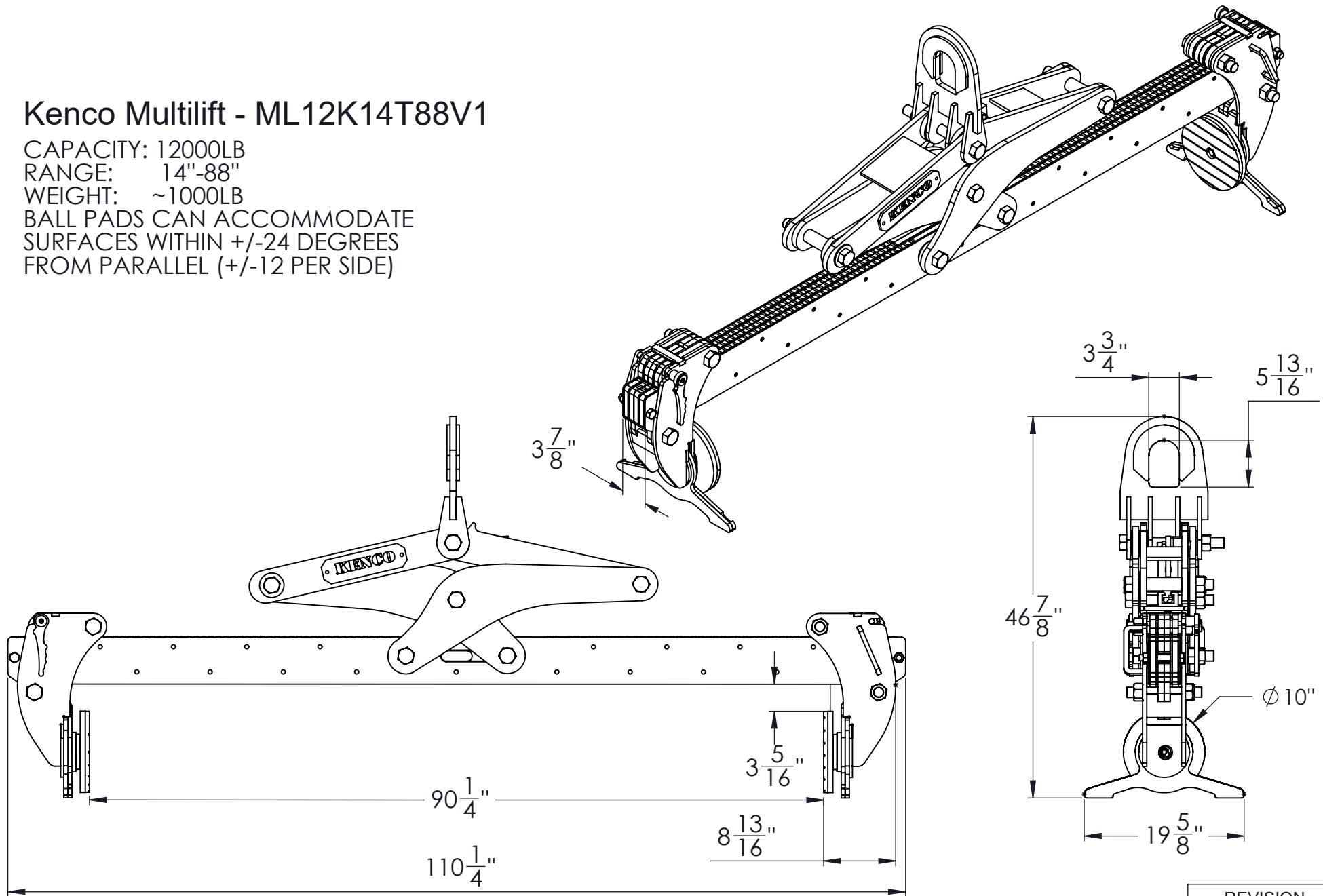


Kenco Multilift - ML12K14T88V1

CAPACITY: 12000LB
 RANGE: 14"-88"
 WEIGHT: ~1000LB
 BALL PADS CAN ACCOMMODATE
 SURFACES WITHIN +/-24 DEGREES
 FROM PARALLEL (+/-12 PER SIDE)



DRAWN BY:
 J.Mastruserio
 DATE:
 10/18/2019



KENCO CORP.
 170 STATE ROUTE 271
 LIGONIER PA 15658

(800)653-6069
 WWW.KENCO.COM

THE INFORMATION PROVIDED WITHIN THIS DRAWING IS THE PROPERTY OF KENCO CORP. ANY REPRODUCTION, TRANSMITTAL, OR USAGE OF ANY KIND IS PROHIBITED WITHOUT WRITTEN PERMISSION.

DIMS. = IN.

TOLERANCES:
 FRACT.: $\pm 1/16$
 ANG.: MACH $\pm 1^\circ$
 BEND $\pm 1^\circ$
 DEC.: X.XX ± 0.03
 X.XXX ± 0.01

DESCRIPTION

ML12K14T88V1

REVISION	
1	xxxxxx
DWG.	
1	