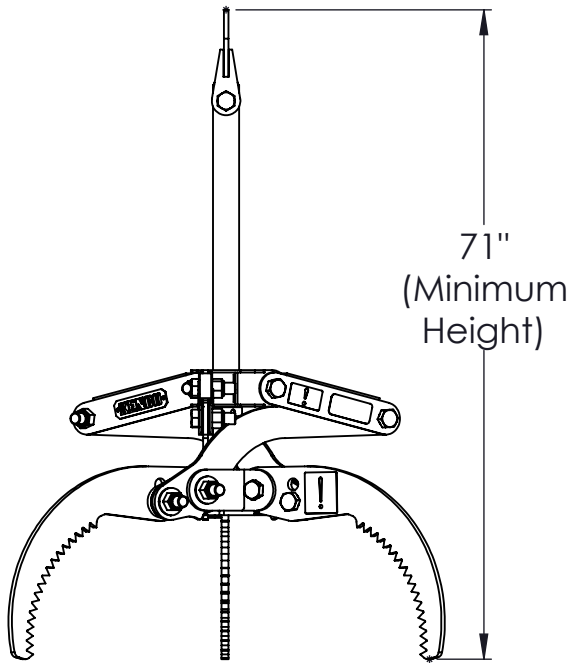


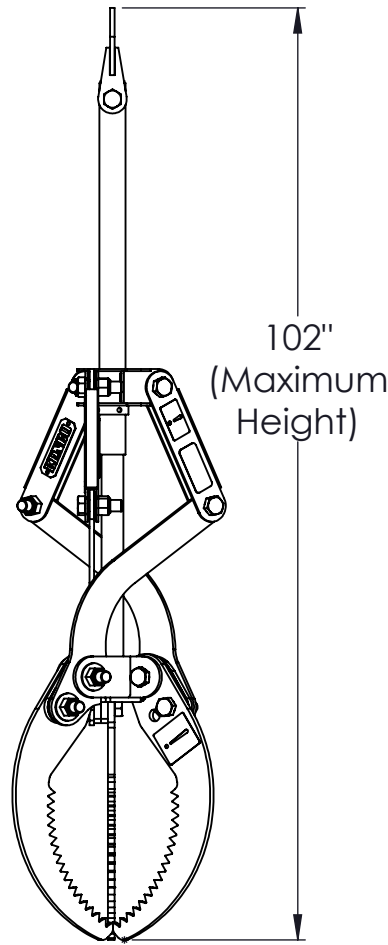
Maximum Lifter Perimeter:
 41-1/2" Small Setting
 54-3/4" Large Setting

Capacity: 6000lbs.
 Weight: Approx. 325lbs.
 Working Range: Up to 40" (Spherical)



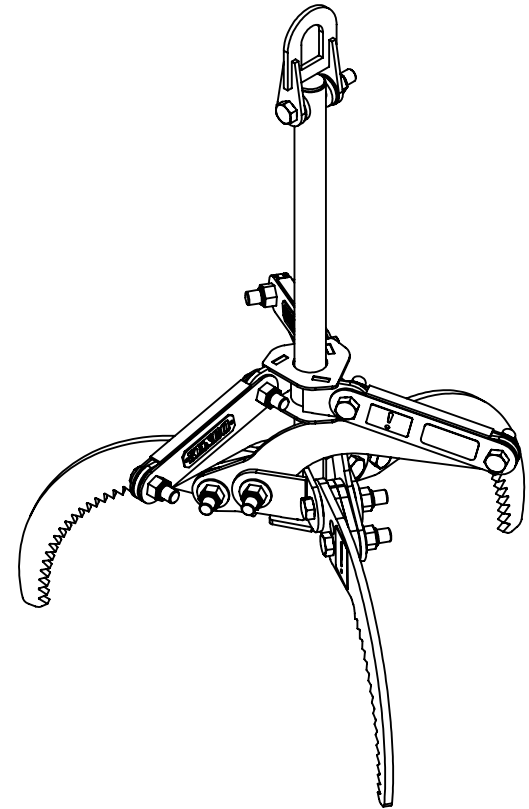
71"
 (Minimum Height)

Maximum Opening:
 30-1/4" Small Setting
 49" Large Setting



102"
 (Maximum Height)

Minimum Opening:
 0" Small Setting
 24" Large Setting



DRAWN BY:
T. FREIDHOFF
DATE:
5/12/16



KENCO CORP.
 170 STATE ROUTE 271
 LIGONIER PA 15658

(800)653-6069
 WWW.KENCO.COM

THE INFORMATION PROVIDED WITHIN THIS DRAWING IS THE PROPERTY OF KENCO CORP. ANY REPRODUCTION, TRANSMITTAL, OR USAGE OF ANY KIND IS PROHIBITED WITHOUT WRITTEN PERMISSION.

DIMS. = IN.
TOLERANCES:
FRACT.: ±1/16
ANG.: MACH±1°
BEND ±1°
DEC.: X.XX ±.03 X.XXX ±.01

DESCRIPTION
MG6K15T40V4 Spec. Sheet

REVISION	
1	xxxxxx
DWG.	
XX	