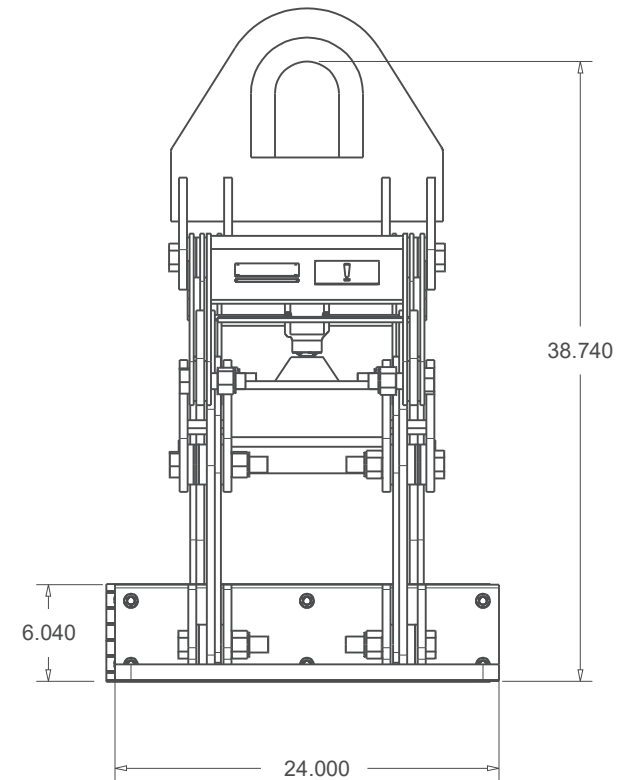
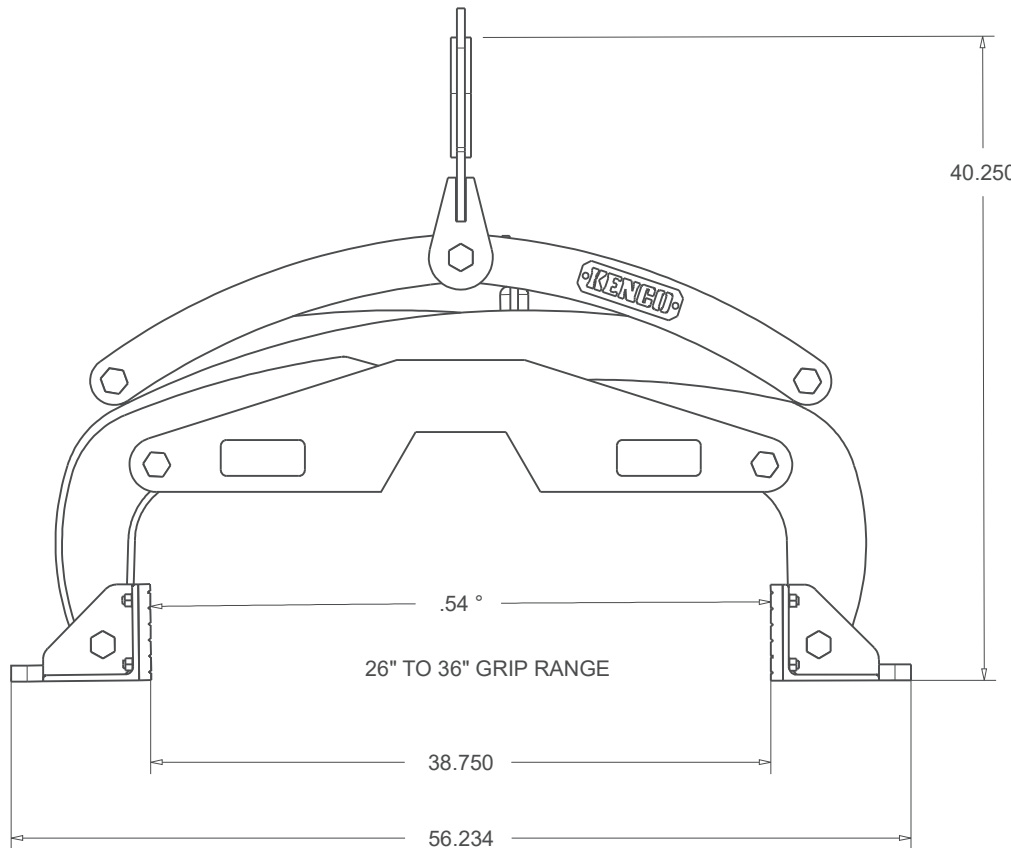
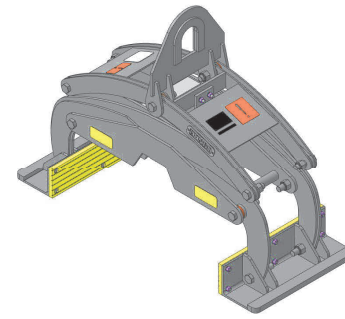


KL9K26T36
 9000 LB CAPACITY
 DESIGNED AND BUILT IN ACCORDANCE WITH
 ANSI/ASSME B30.20 AND BTH1
 UNIT WEIGHT 660 LBS



DRAWN BY:
 GC
 DATE:
 10/31/2019



KENCO CORP.
 170 STATE ROUTE 271
 LIGONIER PA 15658

(800)653-6069
 WWW.KENCO.COM

THE INFORMATION PROVIDED WITHIN THIS
 DRAWING IS THE PROPERTY OF KENCO CORP. ANY
 REPRODUCTION, TRANSMITTAL, OR USAGE OF ANY
 KIND IS PROHIBITED WITHOUT WRITTEN PERMISSION.

DIMS. = IN.
 TOLERANCES:
 FRACT.: ±1/16"
 ANG.: MACH ±1°
 BEND ±1°
 DEC.: X.XX ±.03
 X.XXX ±.01

DESCRIPTION
 KL9K26T36
 GENERAL
 ARRANGEMENT

REVISION	
1	
DWG.	
1	