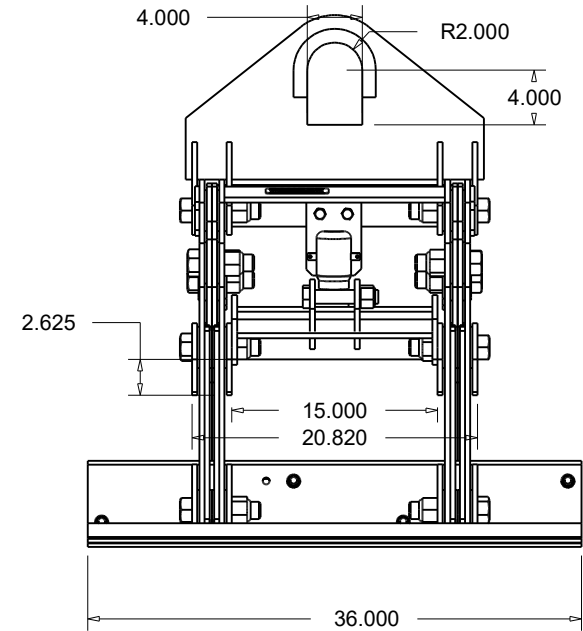
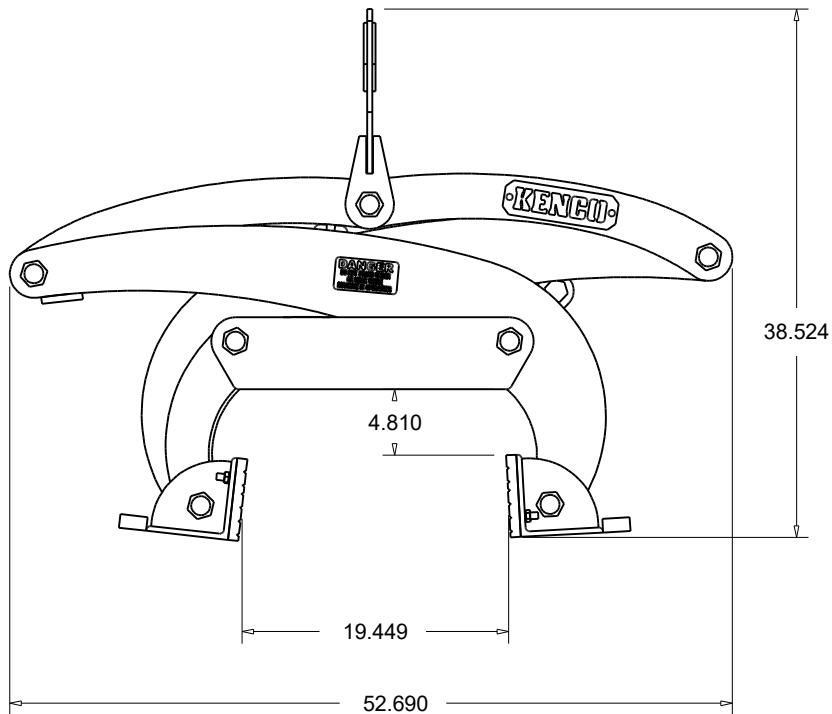
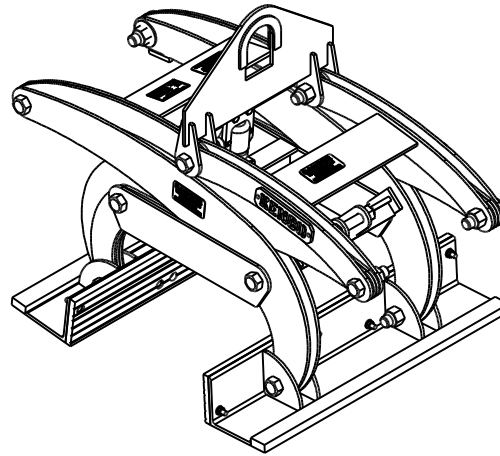


KL16NG8T18
 8" TO 18" GRIP RANGE
 16000 MAX CAPACITY
 UNIT WEIGHT 850 LB.
 MANUFACTURED IN ACCORDANCE WITH
 THE LATES REVISIONS OF
 ASME B30.20 AND BTH-1



DRAWN BY:
 GC
 DATE:



KENCO CORP.
 170 STATE ROUTE 271
 LIGONIER PA 15658

(800)653-6069
 WWW.KENCO.COM

THE INFORMATION PROVIDED WITHIN THIS
 DRAWING IS THE PROPERTY OF KENCO CORP. ANY
 REPRODUCTION, TRANSMITTAL, OR USAGE OF ANY
 KIND IS PROHIBITED WITHOUT WRITTEN PERMISSION.

DIMS. = IN.
 TOLERANCES:
 FRACT.: ±1/16"
 ANG.: MACH ±1°
 BEND ±1°
 DEC.: X.XX ±.03
 X.XXX ±.01

DESCRIPTION
 KL16NG8T18
 GENERAL ARRANGEMENT

REVISION	
1	DWG.
1	