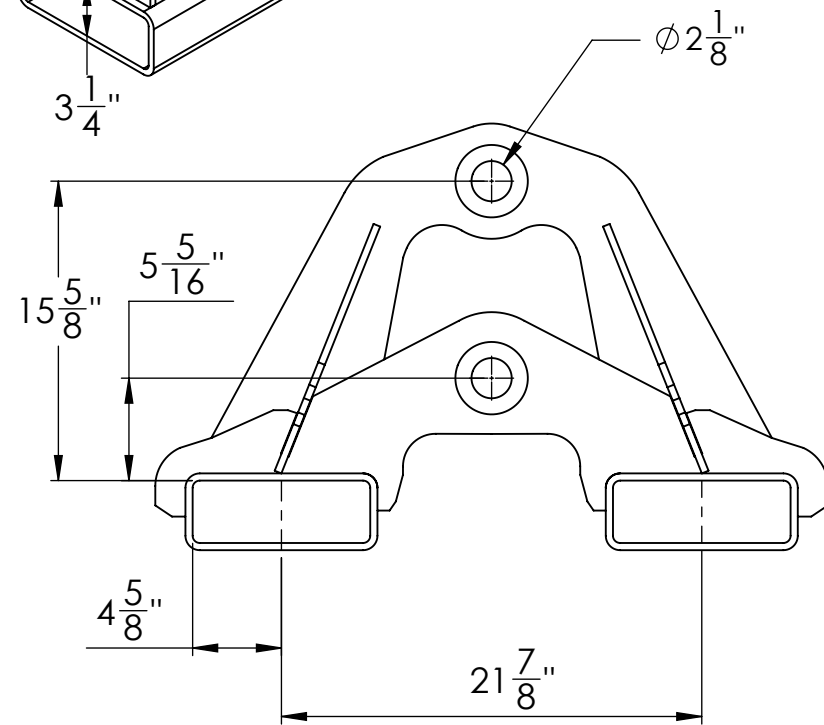
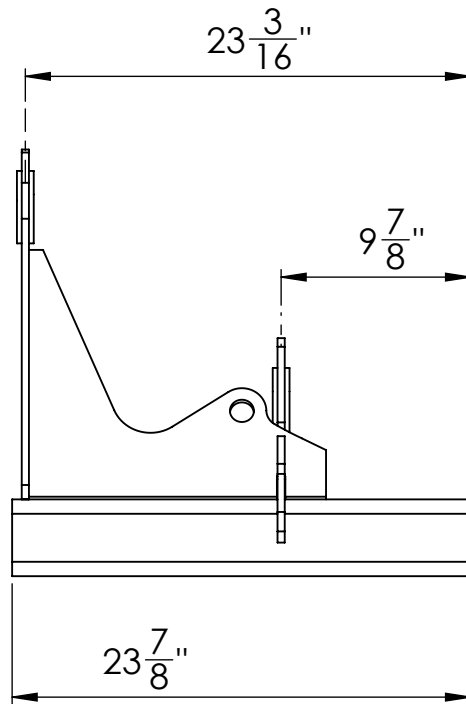
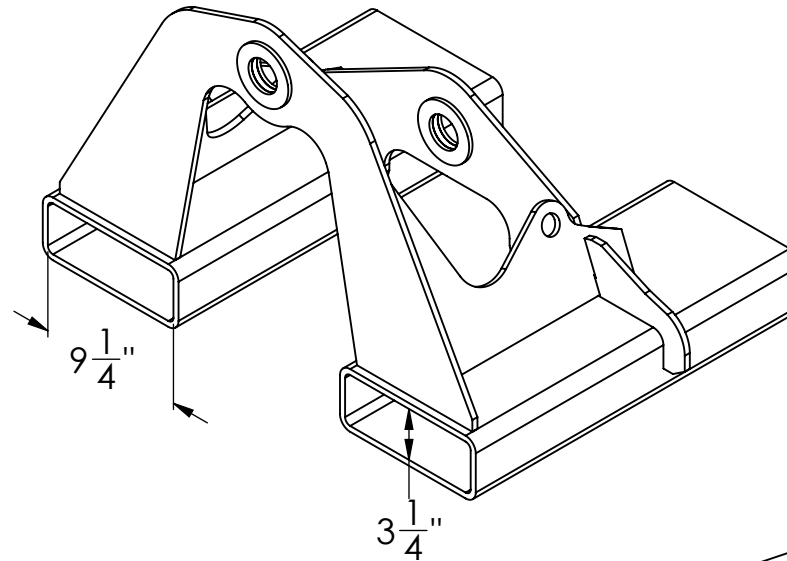


CAPACITY: 8,000LB  
WEIGHT: ~ 200LB



DRAWN BY:  
J.Mastruserio  
DATE:  
10/24/2019



KENCO CORP.  
170 STATE ROUTE 271  
LIGONIER PA 15658

(800)653-6069  
WWW.KENCO.COM

THE INFORMATION PROVIDED WITHIN THIS DRAWING IS THE PROPERTY OF KENCO CORP. ANY REPRODUCTION, TRANSMITTAL, OR USAGE OF ANY KIND IS PROHIBITED WITHOUT WRITTEN PERMISSION.

DIMS. = IN.  
TOLERANCES:  
FRACT.: ±1/16  
ANG.: MACH±1°  
BEND ±1°  
DEC.: X.XX ±.03  
X.XXX ±.01

DESCRIPTION  
FLA8KU19

REVISION	
1	xxxxxx
DWG.	
3	